

Simplicity Bubblers Cold Beverage Dispensers 3x18 L, agitator model

ITEM # _____

MODEL # _____

NAME # _____

SIS # _____

AIA # _____


600560 (ECS3L22)

 Chilled beverage dispenser
 with 3x18 l bowls and
 agitator

Short Form Specification

Item No. _____

Cold beverage dispenser, 3x18lt, with agitation function for fresh juices, coffees, or teas with minimal foaming system. Dispense 3 flavors in 18lt easy-clean bowls with 23cm cup clearance. Easy-off bowl release system for faster and easier assembly and disassembly. Temperature range from 1.7 - 5° C. Pre-mix dispenser with stainless steel base and clear plastic bowls. Compact size of 52 cm.

Main Features

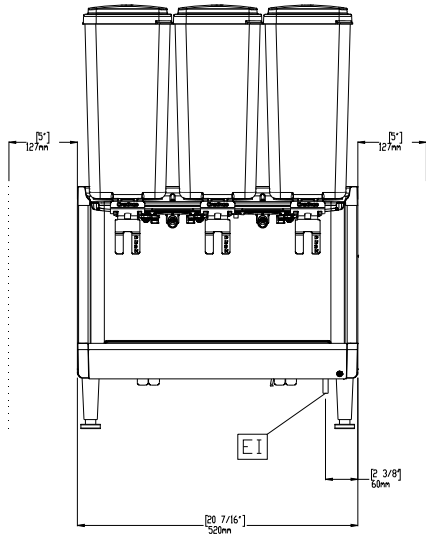
- Agitation function for fresh juices, coffees, or teas with minimal foaming system.
- Easy-off bowl release system for faster and easier assembly and disassembly.
- User friendly design enables machine to dispense product till the very last drop.
- Dispense 3 flavors in 18 L easy-clean bowls with 23 cm cup clearance.

Construction

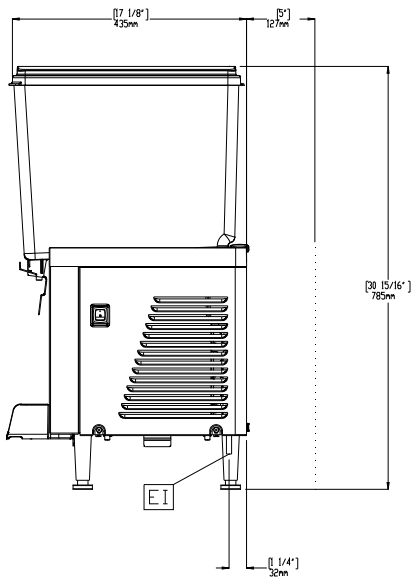
- Pre-mix dispenser with stainless steel base and clear plastic bowls.
- Fewer removable parts to simplify cleaning and reduce maintenance.
- Temperature range from 1.7 - 5° C.
- Compact size of 52 cm wide saves valuable counter space.
- The air intakes from the bottom and exhaust to back.

APPROVAL: _____

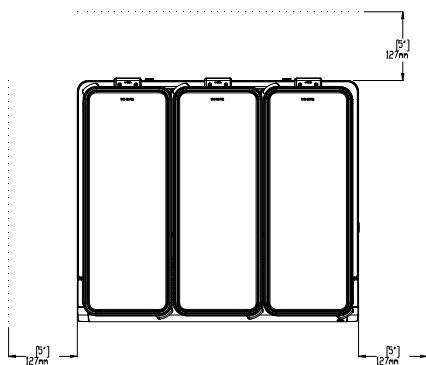
Front



Side



Top



Electric

Supply voltage:

600560 (ECS3L22)

230 V/1N ph/50/60 Hz

Electrical power max.:

1 kW

Key Information:

External dimensions, Width: 518 mm

External dimensions, Height: 795 mm

External dimensions, Depth: 451 mm

Net weight: 33 kg

Shipping weight: 35 kg

Shipping height: 528 mm

Shipping width: 483 mm

Shipping depth: 630 mm